

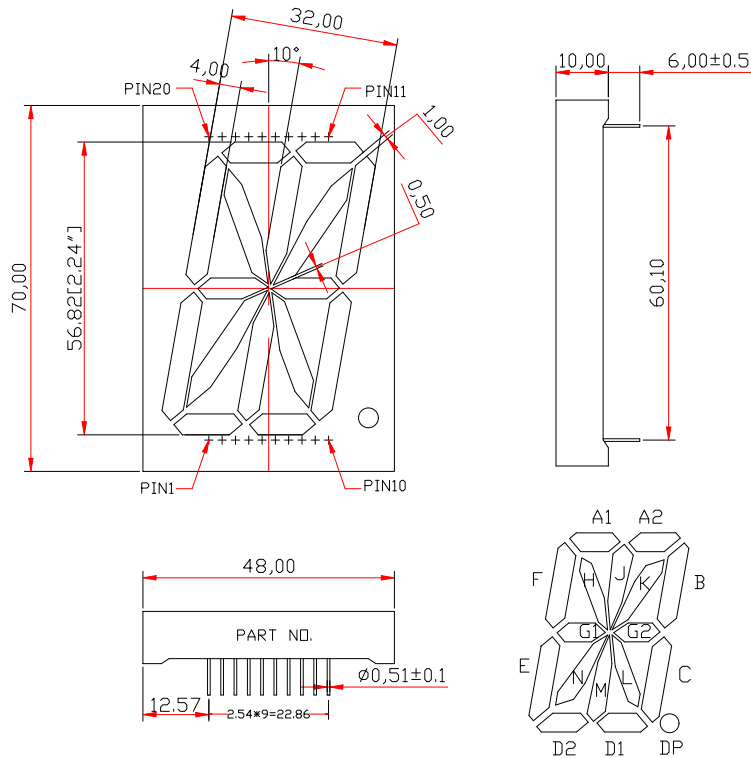
WCN1X-00B2SD-A13**SPECIFICATION**

WCN			CUSTOMER Confirmed
Prepared by	Checked by	Approved by	
LIU 2014-3-3	Athena		



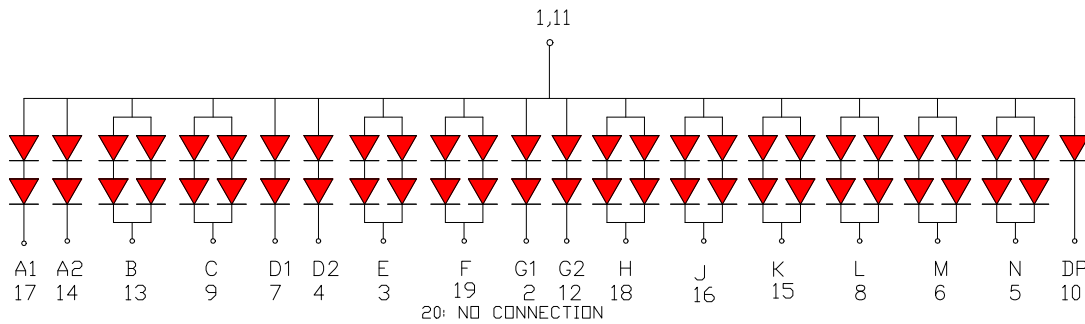
REVISION: A1

Outer Dimension:



Notes: Unless otherwise stated, the tolerance is $\pm 0.25\text{mm}$.

Circuit Diagram:



Pin Connection

PIN NO.	CONNECTION	PIN NO.	CONNECTION	PIN NO.	CONNECTION
1	Common Anode	8	Cathode L	15	Cathode K
2	Cathode G1	9	Cathode C	16	Cathode J
3	Cathode E	10	Cathode DP	17	Cathode A1
4	Cathode D2	11	Common Anode	18	Cathode H
5	Cathode N	12	Cathode G2	19	Cathode F
6	Cathode M	13	Cathode B	20	NC
7	Cathode D1	14	Cathode A2		

■ **Features:**

- . High Reliability
- . Color: Red
- . Low Power Requirement
- . Easy Assembly

■ **Description:**

- . Single Digit Alphanumeric LED Display
- . Digit Height: 56.8mm(2.24")
- . Black Face and Milky Segment

■ **Absolute Maximum Rating (Ta=25°C):**

Parameter	Symbol	Condition	Color	Rating	Units
Power Dissipation Segment	P _d	—	Red	180/90	mW
Forward Current Segment	I _F	—	Red	25	mA
Derating Of I _f Per Segment	△I _F	T _a ≥ 25°C	Red	0.28	mA/°C
Peak Forward Current Per Segment	I _{FP}	1/10 Duty	Red	100	mA
Reverse Voltage Per Segment/DP	V _R	—	Red	10/5	V
Operating Temperature Range	T _{opr}	—	Red	-35~+85	°C
Storage Temperature Range	T _{stg}	—	Red	-35~+85	°C

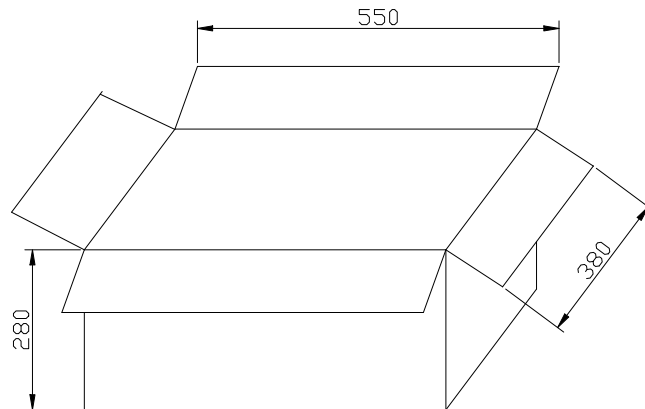
■ **Electrical/Optical Characteristics Rating(Ta=25°C)**

Item	Symbol	Test conditions	Location	Rating			Units
				Min.	Typ.	Max.	
Forward Voltage	V _F	I _F =20mA	Per Dice	—	4.2	5.20	V
			Per Dice	—	2.10	2.60	
Reverse Current	I _R	V _R =10/5V	Per Dice	—	—	100	μA
Luminous Intensity	I _V	I _F =10mA	Per Dice	—	10000	—	μcd
Peak Emission Wave Length	λ _P	I _F =20mA	Per Dice	—	660	—	nm
	λ _D				640		
Spectral Line Half Width	△λ	I _F =20mA	Per Dice	—	20	—	nm
Luminous Intensity Matching Ratio (Segment to Segment)	I _{v-m}	I _F =20mA				2:1	

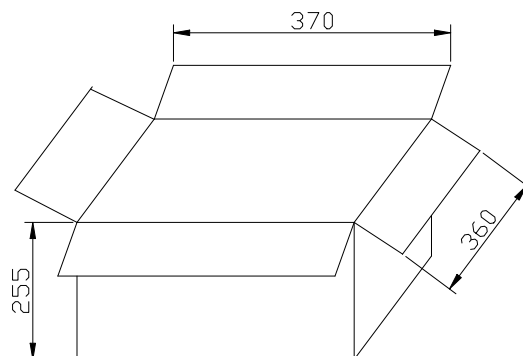
■ **Luminous Intensity Sorting: (Luminous Intensity Tolerance is +/-10%)**

■ **Soldering Conditions: Soldering Temp. ≤ +260°C, Soldering Time. ≤ 3sec.**

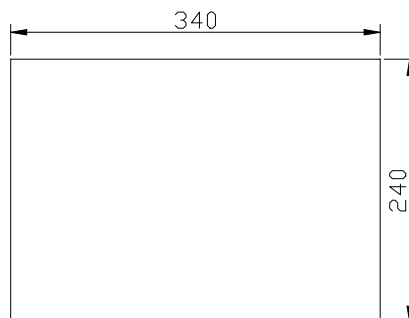
(at 2mm Distance from The Case of Reflector Edge)

■ Outer Carton Dimension:

- Note:**
1. An Outer carton contained two Inner cartons and 460 PCS products.
 2. Unless otherwise stated, the tolerance is +5mm / -0mm.
 3. The carton material is A=A Brown Paper.

■ Inner Carton Dimension:

- Note:**
1. An Inner carton contained 11 PCS Foam Board and 230 PCS products.
 2. Unless otherwise stated, the tolerance is ± 2 mm.
 3. The carton material is B=B Paper.

■ Foam Board Dimension:

- Note:**
1. A Foam Board contained 21PCS products.
 2. Unless otherwise stated, The tolerance is ± 2 mm.