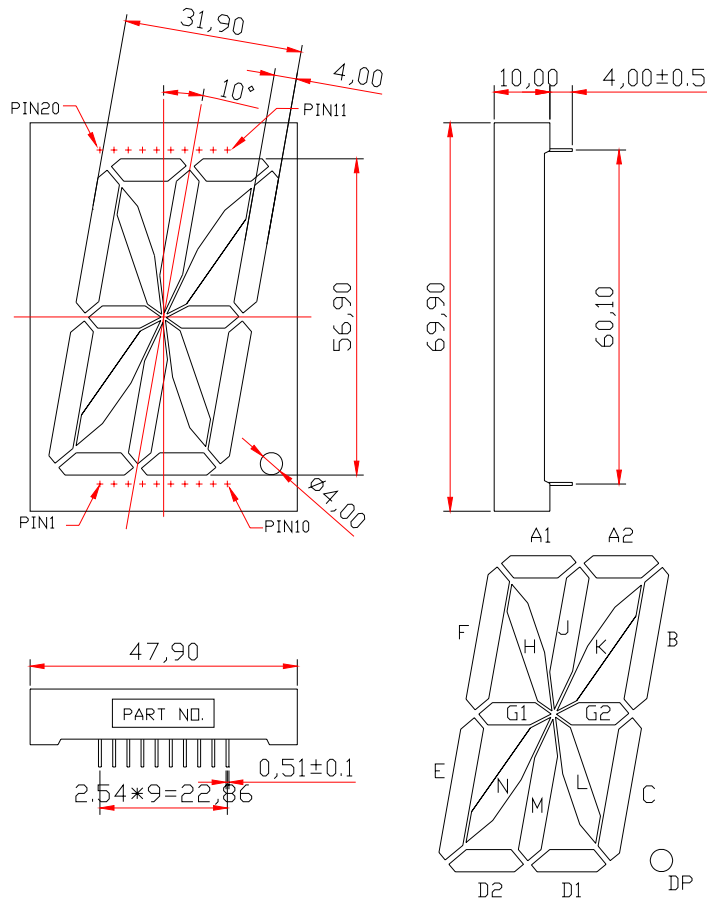


**WCN1X-00B2PG-A14****SPECIFICATION**

WCN			CUSTOMER Confirmed
Prepared by	Checked by	Approved by	
Fei 2015-9-15	Athena		

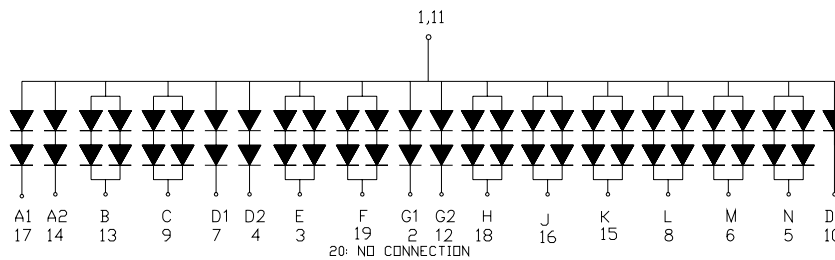
**REVISION:A0**

■ **Outer Dimension:**



Notes: Unless otherwise stated, The tolerance is  $\pm 0.25\text{mm}$ .

■ **Circuit Diagram:**



■ **Pin Connection**

PIN NO.	CONNECTION	PIN NO.	CONNECTION	PIN NO.	CONNECTION
1	Common Anode	8	Cathode L	15	Cathode K
2	Cathode G1	9	Cathode C	16	Cathode J
3	Cathode E	10	Cathode DP1	17	Cathode A1
4	Cathode D2	11	Common Anode	18	Cathode H
5	Cathode N	12	Cathode G2	19	Cathode F
6	Cathode M	13	Cathode B	20	NC
7	Cathode D1	14	Cathode A2		

■ **Features:**

- . High Reliability
- . Color: Pure Green
- . Low Power Requirement
- . Easy Assembly

■ **Description:**

- . Single Digit Alphanumeric LED Display
- . Digit Height: 56.9mm(2.24" )
- . Black Face and Milky Segment

■ **Absolute Maximum Rating (Ta=25°C):**

Parameter	Symbol	Condition	Color	Rating	Units
Power Dissipation Segment	P <sub>d</sub>	—	Pure Green	185/92.5	mW
Forward Current Segment	I <sub>F</sub>	—	Pure Green	25	mA
Peak Forward Current Per Segment	I <sub>FP</sub>	1/10 Duty 10KHz	Pure Green	100	mA
Reverse Voltage Per Segment/DP	V <sub>R</sub>	—	Pure Green	5	V
Operating Temperature Range	Topr	—	Pure Green	-35~+85	°C
Storage Temperature Range	Tstg	—	Pure Green	-35~+85	°C

■ **Electrical/Optical Characteristics Rating(Ta=25°C)**

Item	Symbol	Test conditions	Location	Rating			Units
				Min.	Typ.	Max.	
Forward Voltage	V <sub>F</sub>	I <sub>F</sub> =20mA	Per Segment	5.2	6.0	7.4	V
			DP	2.6	3.0	3.7	
Reverse Current	I <sub>R</sub>	V <sub>R</sub> =10/5V	Per Segment	—	—	100	μA
Luminous Intensity	I <sub>V</sub>	I <sub>F</sub> =10mA	Per Segment	78.5	160.0	250.0	mcd
Peak Emission Wave Length	λ <sub>P</sub>	I <sub>F</sub> =20mA	Per Segment	—	515	—	nm
	λ <sub>D</sub>			520	522.5	525	
Spectral Line Half Width	△λ	I <sub>F</sub> =20mA	Per Segment	—	25	—	nm
Luminous Intensity Matching Ratio (Segment to Segment)	I <sub>v-m</sub>	I <sub>F</sub> =20mA				1.5:1	

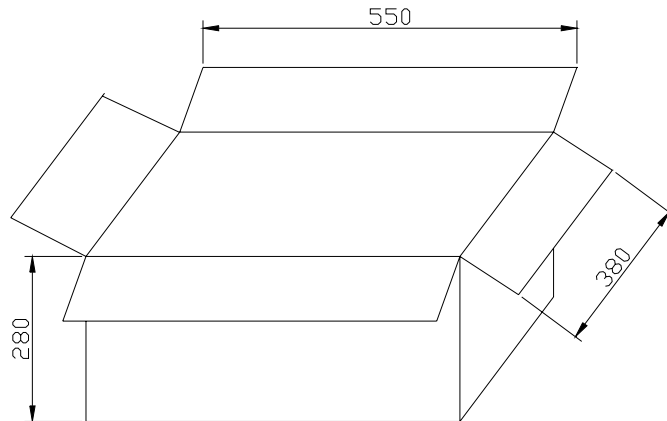
■ **Luminous Intensity Sorting: (Luminous Intensity Tolerance is +/-10%)**

Rank	Symbol	Condition	Min	Max	Unit
Z3	Z3	I <sub>F</sub> =10mA	78.5	91.0	mcd
Z4	Z4	I <sub>F</sub> =10mA	91.001	145.0	mcd
Z5	Z5	I <sub>F</sub> =10mA	145.001	175.0	mcd
Z6	Z6	I <sub>F</sub> =10mA	175.001	210.0	mcd

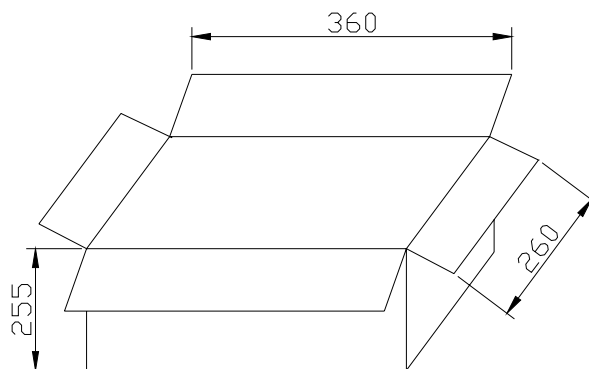
■ **Soldering Conditions: Soldering Temp. ≤+260°C, Soldering Time. ≤3sec.**

(at 2mm Distance from from The Case of Reflector Edge)

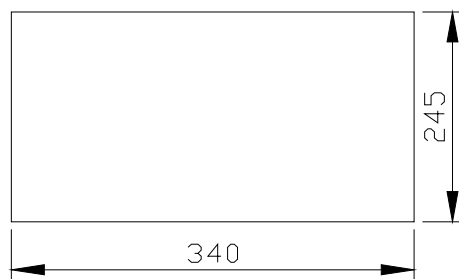
3/4

**■ Outer Carton Dimension:**

- Note: 1. An Outer carton contained 2 Inner cartons and 480 PCS products.**  
**2. Unless otherwise stated, the tolerance is +5mm / -0mm.**  
**3. The carton material is A=B Brown Paper.**

**■ Inner Carton Dimension:**

- Note: 1. An Inner carton contained 12 PCS Foam Board and 240 PCS products.**  
**2. Unless otherwise stated , the tolerance is  $\pm 3$  mm.**

**■ Steamed Foam Dimension:**

- Note: 1. A Steamed Foam contained 20 PCS products.**  
**2. Unless otherwise stated , the tolerance is  $\pm 2$  mm.**