

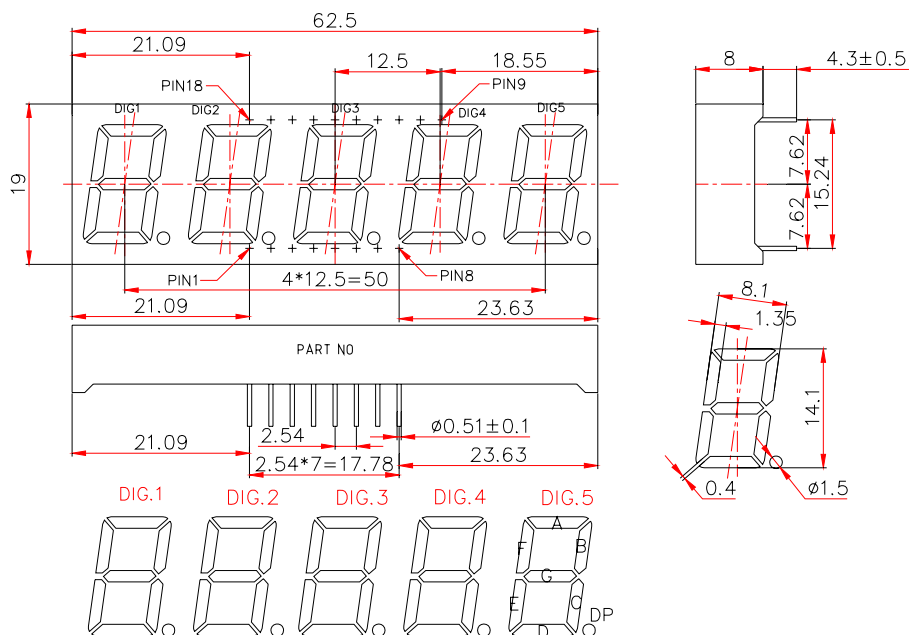
WCN5-0056RB-A41**SPECIFICATION**

WCN			CUSTOMER Confirmed
Prepared by	Checked by	Approved by	
LIU 2015-8-20	Athena		



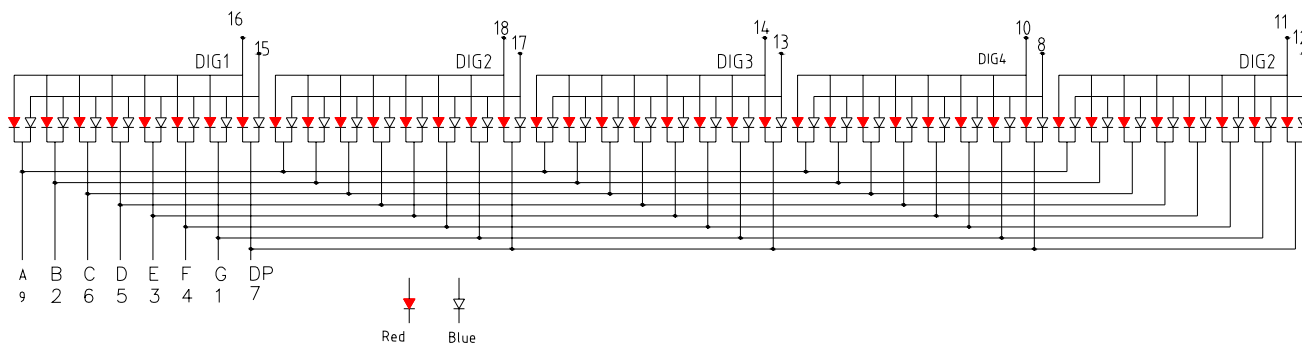
REVISION: A0

Outer Dimension:



Note: Unless otherwise stated, The tolerance is ± 0.25 mm.

Circuit Diagram:



Pin Connection:

PIN NO.	CONNECTION	PIN NO.	CONNECTION
1	Cathode G	10	Common (Red color)
2	Cathode B	11	Common (Red color)
3	Cathode E	12	Common (Blue color)
4	Cathode F	13	Common (Blue color)
5	Cathode D	14	Common (Red color)
6	Cathode C	15	Common (Blue color)
7	Cathode DP	16	Common (Red color)
8	Common (Blue color)	17	Common (Blue color)
9	Cathode A	18	Common (Red color)

■ **Features:**

- High Reliability
- Color: Red and Blue
- Low Power Requirement
- Easy Assembly

■ **Description:**

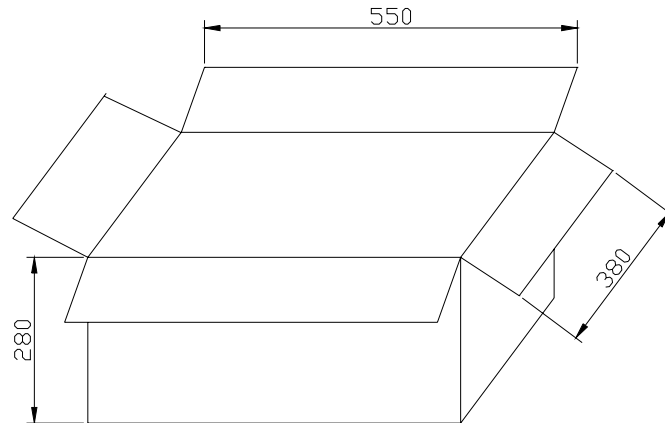
- Five Digit LED Display
- Digit Height: 14.2mm (0.56")
- Black Face and Milky Segment

■ **Absolute Maximum Rating (Ta=25°C):**

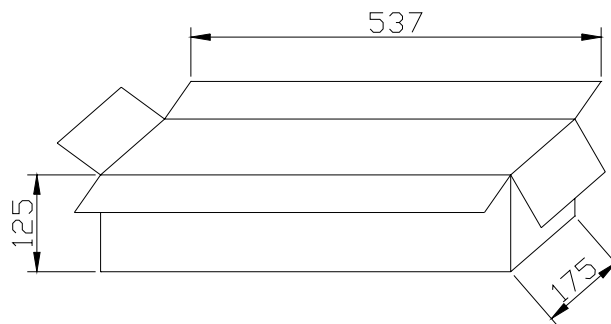
Parameter	Symbol	Condition	Color	Rating	Units
Power Dissipation Per Segment	P _d	—	Red/Blue	62.5 / 97.5	mW
Power Dissipation Per DP					
Forward Current Per Segment/DP	I _F	—	Red/Blue	25/25	mA
Peak Forward Current Per	I _{FP}	1/10 Duty 0.1ms	Red/Blue	100	mA
Reverse Voltage Per Segment/DP	V _R	—	Red/Blue	5 / 5	V
Operating Temperature Range	T _{opr}	—	—	-40~+85	°C
Storage Temperature Range	T _{stg}	—	—	-40~+85	°C

■ **Electrical/Optical Characteristics Rating(Ta=25°C):**

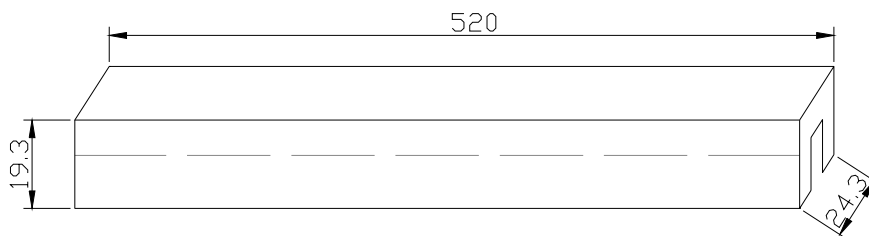
Item	Symbol	Test condition	Location	Color	Rating			Units	
					Min.	Typ.	Max.		
Forward Voltage	V _F	I _F =20mA	Per Dice	Red	1.8	2.0	2.5	V	
				Blue	2.7	3.4	3.9		
Reverse Current	I _R	V _R =5V	Per Dice	Red+Blue	—	—	100	μA	
Luminous Intensity	I _v	I _F =10mA	Per Dice	Red	10.50	15.25	—	mcd	
				Blue	7.20	10.50			
Wave Length	λ _P	I _F =20mA	Per Dice	Red / Blue	—	642/455		—	nm
	λ _D					630/470			
Spectral Line Half Width	△λ	I _F =20mA	Per Dice	Red	—	20		—	nm
				Blue		30			
Luminous Intensity Matching Ratio (Segment To Segment)	I _{v-m}	I _F =20mA					1.5:1		

Outer Carton Dimension:

- Note:**
1. One Outer carton contained four Inner cartons, contained 1344 PCS products.
 2. Unless otherwise stated, the tolerance is +5mm / -0mm.
 3. The carton material is A=B Brown Paper.

Inner Carton Dimension:

- Note:**
1. One Inner carton contained 42PCS IC Tube, contained 336 PCS products.
 2. Unless otherwise stated, the tolerance is ± 2 mm.
 3. The carton outside and inside paper material are A rank Paper.

IC Tube Dimension:

- Note:**
1. One IC Tube contained 8 PCS products.
 2. Unless otherwise stated, the tolerance is ± 0.5 mm.
 3. The IC Tube material is Water clear PVC.