

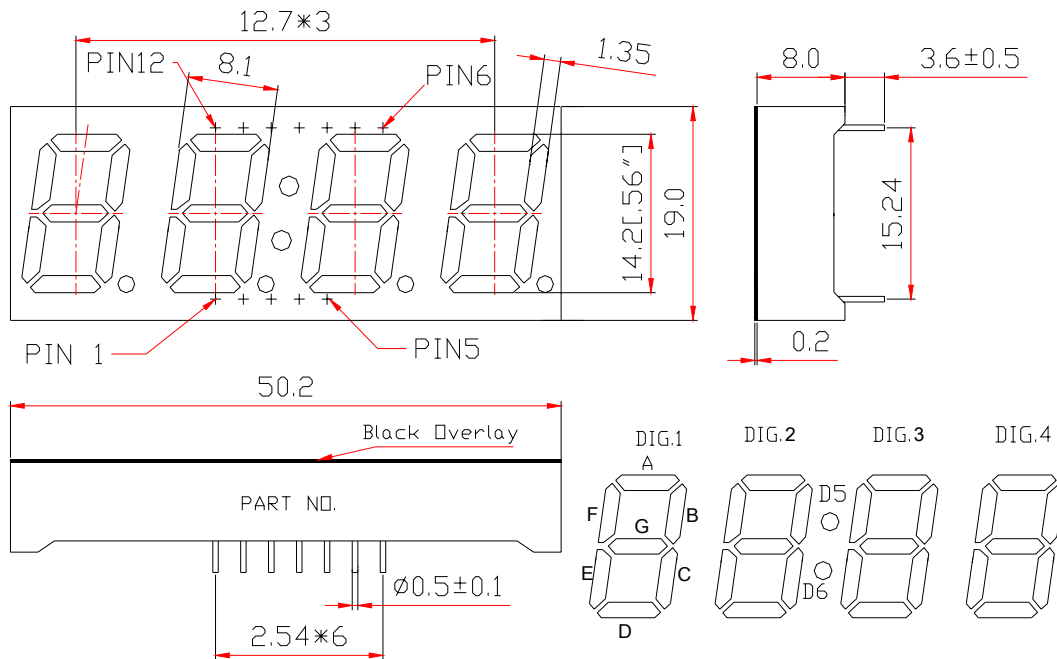
**WCN4-0056UY-A71-HF****SPECIFICATION**

WCN			CUSTOMER Confirmed
Prepared by	Checked by	Approved by	
Fei 2017-11-22	Athena		



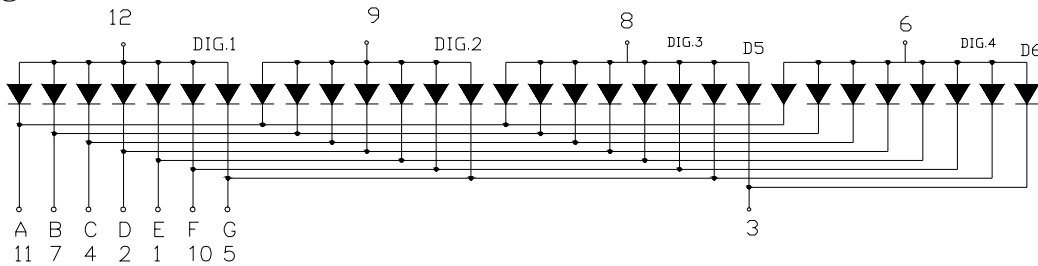
REVISION: A0

## Outer Dimension:



Note: Unless otherwise stated, The tolerance is  $\pm 0.25$  mm.

## Circuit Diagram:



## Overlay Pattern:



## Pin Connection:

PIN NO.	CONNECTION	PIN NO.	CONNECTION
1	Cathode E	7	Cathode B
2	Cathode D	8	Common Anode Dig.3
3	Cathode DP5, DP6	9	Common Anode Dig.2
4	Cathode C	10	Cathode F
5	Cathode G	11	Cathode A
6	Common Anode Dig.4	12	Common Anode Dig.1

■ Features:

- High Reliability
- Color: Yellow
- Low Power Requirement
- Easy Assembly

■ Description:

- Four Digit LED Display
- Digit Height: 14.2mm(0.56" )
- Black Face With Black Overlay

■ Absolute Maximum Rating (Ta=25°C):

Parameter	Symbol	Condition	Color	Rating	Units
Power Dissipation Per Segment	P <sub>d</sub>	—	Yellow	65	mW
Forward Current Per Segment	I <sub>F</sub>	—	Yellow	25	mA
Derating Of I <sub>F</sub> Per Segment	ΔI <sub>F</sub>	T <sub>a</sub> ≧ 25°C	Yellow	0.30	mA/°C
Peak Forward Current Per Segment	I <sub>FP</sub>	1/10 Duty 1KHz	Yellow	100	mA
Reverse Voltage Per Segment	V <sub>R</sub>	—	Yellow	5	V
Operating Temperature Range	T <sub>opr</sub>	—	—	-35~+105	°C
Storage Temperature Range	T <sub>stg</sub>	—	—	-35~+105	°C

■ Electrical/Optical Characteristics Rating(Ta=25°C)

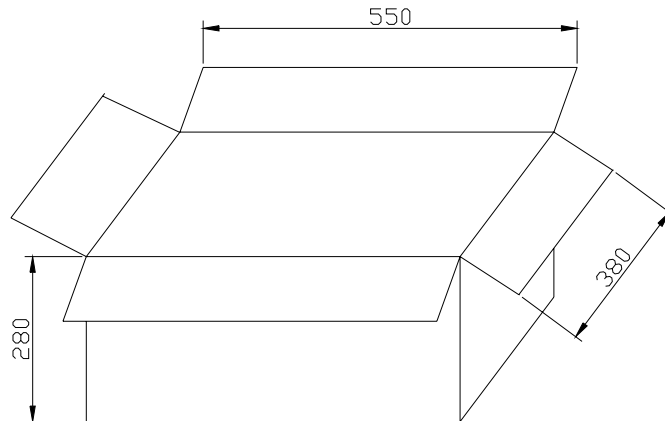
Item	Symbol	Test conditions	Location	Rating			Units
				Min.	Typ.	Max.	
Forward Voltage	V <sub>F</sub>	I <sub>F</sub> =20mA	Per Segment	—	2.0	2.60	V
Reverse Current	I <sub>R</sub>	V <sub>R</sub> =5V	Per Segment	—	—	100	μA
Luminous Intensity	I <sub>V</sub>	I <sub>F</sub> =10mA	Per Segment	1001	2000	4000	ucd
Wave Length	λ <sub>P</sub>	I <sub>F</sub> =20mA	Per Segment	—	592	—	nm
	λ <sub>D</sub>				586		
Spectral Line Half Width	Δλ	I <sub>F</sub> =20mA	Per Segment	—	20	—	nm
Luminous Intensity Matching Ratio (Segment to Segment)	I <sub>v-m</sub>	I <sub>F</sub> =10mA				2:1	

■ Luminous Intensity Sorting: (Luminous intensity tolerance: +/-10%)

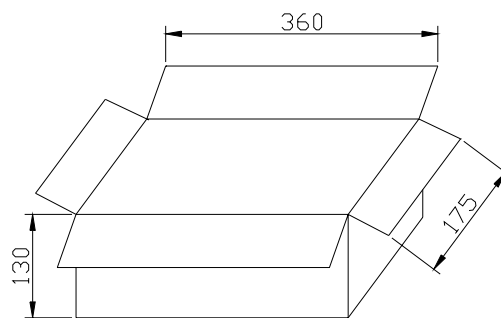
Rank	Symbol	Condition	Min	Max	Unit
G	G	I <sub>F</sub> =10mA	1001	1350	ucd
H	H	I <sub>F</sub> =10mA	1351	1750	ucd
I	I	I <sub>F</sub> =10mA	1751	2350	ucd
J	J	I <sub>F</sub> =10mA	2351	3050	ucd
K	K	I <sub>F</sub> =10mA	3051	4000	ucd

■ Soldering Conditions: Soldering Temp. ≦ +260°C, Soldering Time. ≦ 3sec

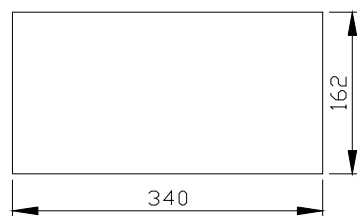
(at 2mm Distance from The Case of Reflector Edge)

**■ Outer Carton Dimension:**

- Note:**
1. An Outer carton contained 6 Inner cartons and 1800 PCS products.
  2. Unless otherwise stated, the tolerance is +5mm / -0mm.
  3. The carton material is A=B Brown Paper.

**■ Inner Carton Dimension:**

- Note:**
1. An Inner carton contained 6 PCS Foam Board and 300 PCS products.
  2. Unless otherwise stated, the tolerance is  $\pm 3$  mm.

**■ Steamed Foam Dimension:**

- Note:**
1. A Steamed Foam contained 51 PCS products.
  2. Unless otherwise stated, the tolerance is  $\pm 2$  mm.