

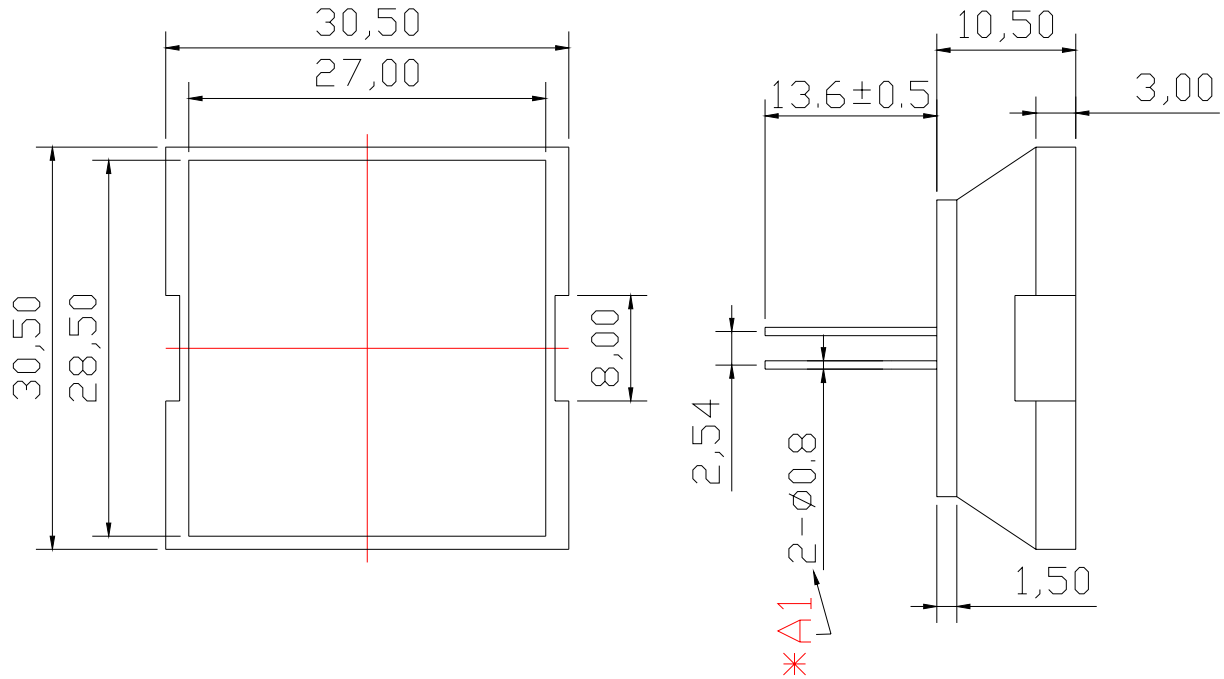
**8041-R****SPECIFICATION**

WCN			CUSTOMER Confirmed
Prepared by	Checked by	Approved by	
Liu 2014-4-30	Athena		
NOTE: PIN Dimension from 0.64*0.64 change to $\Phi 0.8$			



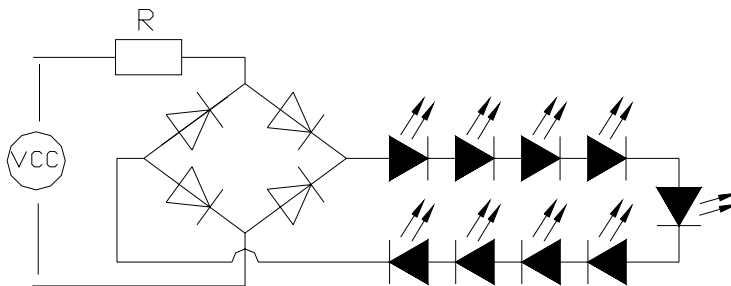
REVISION: A1

■ **Outer Dimension:**



Notes: Unless otherwise stated, The tolerance is  $\pm 0.25\text{mm}$ .

■ **Circuit Diagram**



■ **Features:**

- . High Reliability
- . Emitting Color: Red
- . Low Power Requirement
- . Easy Assembly

■ **Description:**

- . 30.5 mm Square LED Signal Lamp
- . Nine Pieces Red Color LED
- . Red Diffuse Epoxy

■ **Applications:**

- . Illuminations
- . Indicator

**Typical Electrical & Optical Characteristics ( Ta = 25°C)**

Items	Symbol	Condition	Min.	Typ.	Max.	Unit
Forward Voltage	$V_F$	$I_F = 17\text{mA}$	---	24	---	V
Forward Current	$I_F$	$V_F = 24\text{V}$	---	17	20	mA
Peak Forward Current	$I_{FP}$	1/10 duty 10KHZ	---	---	90	mA
Power Dissipation	$P_D$	---	---	---	500	mW
Luminous Intensity	$I_V$	$I_F = 20\text{mA}$	210	240	---	mcd
Peak Emission Wavelength	$\lambda_p$	$I_F = 20\text{mA}$	---	635	---	nm
Dominant Wavelength	$\lambda_d$	$I_F = 20\text{mA}$	---	622	---	nm
Operation Temperature	$T_{opr}$	-35 ~ + 85				°C
Storage Temperature	$T_{stg}$	-35 ~ + 85				°C
Lead Soldering Temperature	$T_{sol}$	Max.260°C for 3 sec Max. (3mm from the base of the epoxy bulb)				

**Packaging Standard:****Data is subject to change without prior notice.**