

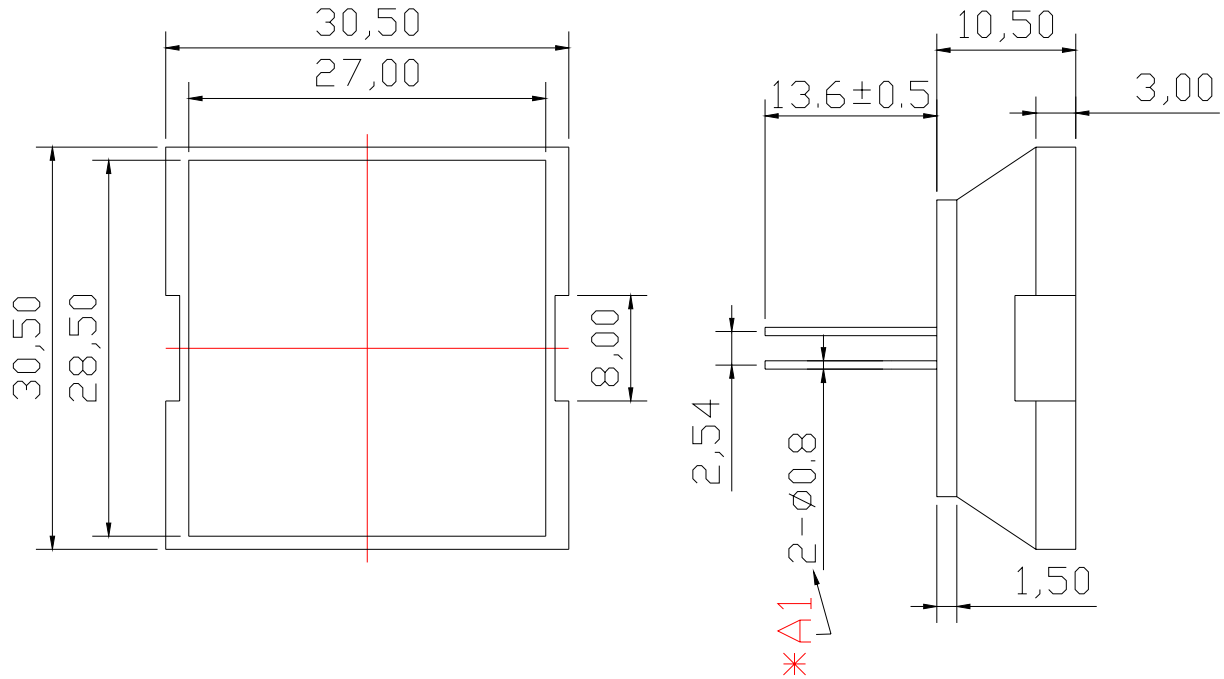
8041-Y**SPECIFICATION**

WCN			CUSTOMER Confirmed
Prepared by	Checked by	Approved by	
Liu 2014-4-30	Athena		
NOTE: PIN Dimension from 0.64*0.64 change to $\Phi 0.8$			



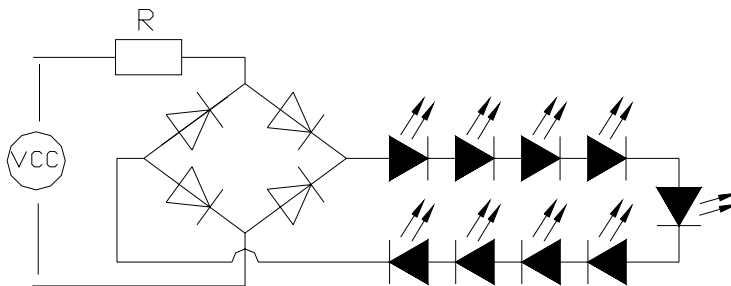
REVISION: A1

■ **Outer Dimension:**



Notes: Unless otherwise stated, The tolerance is $\pm 0.25\text{mm}$.

■ **Circuit Diagram**



■ **Features:**

- High Reliability
- Emitting Color: Yellow
- Low Power Requirement
- Easy Assembly

■ **Description:**

- 30.5 mm Square LED Signal Lamp
- Nine Pieces Yellow Color LED
- Yellow Diffuse Epoxy

■ **Applications:**

- Illuminations
- Indicator

Typical Electrical & Optical Characteristics (Ta = 25°C)

Items	Symbol	Condition	Min.	Typ.	Max.	Unit
Forward Voltage	V_F	$I_F = 17\text{mA}$	---	24	---	V
Forward Current	I_F	$V_F = 24\text{V}$	---	17	20	mA
Peak Forward Current	I_{FP}	1/10 duty 10KHZ	---	---	90	mA
Power Dissipation	P_D	---	---	---	500	mW
Luminous Intensity	I_V	$I_F = 20\text{mA}$	210	240	---	mcd
Peak Emission Wavelength	λ_p	$I_F = 20\text{mA}$	---	595	---	nm
Dominant Wavelength	λ_d	$I_F = 20\text{mA}$	---	588	---	nm
Operation Temperature	T_{opr}	-35 ~ + 85				°C
Storage Temperature	T_{stg}	-35 ~ + 85				°C
Lead Soldering Temperature	T_{sol}	Max.260°C for 3 sec Max. (3mm from the base of the epoxy bulb)				

Packaging Standard:**Data is subject to change without prior notice.**