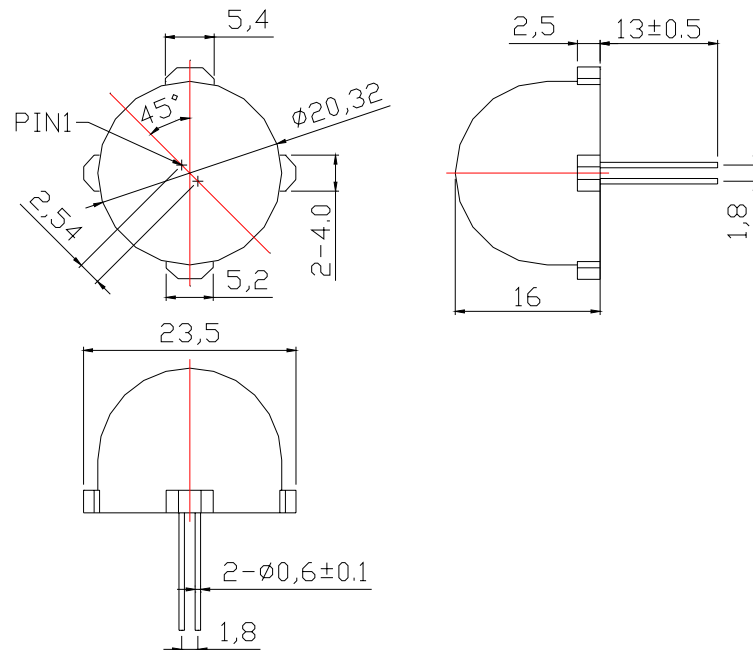


1025-G**SPECIFICATION**

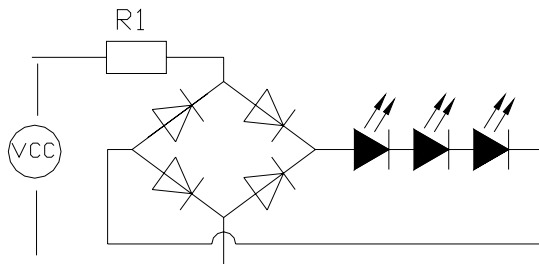
WCN			CUSTOMER Confirmed
Prepared by	Checked by	Approved by	
Liu 2012-12-23	Athena		



REVISION: A1

Outer Dimension:

Notes: Unless otherwise stated, The tolerance is $\pm 0,25\text{mm}$.

Circuit Diagram**Features:**

- . High Reliability
- . Emitting Color: Green
- . Low Power Requirement
- . Easy Assembly

Description:

- . 20.32 mm LED Signal Lamp
- . Three Pieces Green Color LED
- . Green Diffuse Epoxy

Applications:

- . Illuminations
- . Indicator

■ **Typical Electrical & Optical Characteristics (Ta = 25°C)**

Items	Symbol	Condition	Min.	Typ.	Max.	Unit
Forward Voltage	V_F	$I_F = 15\text{mA}$	---	24	---	V
Forward Current	I_F	$V_F = 24\text{V}$	---	15	20	mA
Peak Forward Current	I_{FP}	1/10 duty 10KHZ	---	---	90	mA
Power Dissipation	P_D	---	---	---	500	mW
Luminous Intensity	I_V	$I_F = 20\text{mA}$	320	400	---	mcd
Peak Emission Wavelength	λ_p	$I_F = 20\text{mA}$	---	515	---	nm
Dominant Wavelength	λ_d	$I_F = 20\text{mA}$	---	525	---	nm
Operation Temperature	T_{opr}	-35 ~ + 85				°C
Storage Temperature	T_{stg}	-35 ~ + 85				°C
Lead Soldering Temperature	T_{sol}	Max.260°C for 3 sec Max. (3mm from the base of the epoxy bulb)				

■ **Packaging Standard:**

1. The Outer Carton outer dimensions are: 550*370*270mm.
2. The Inner Carton outer dimensions are: 370*360*255mm
3. The Antistatic Bag dimensions are: 200*160mm
4. One Outer Carton contained two Inner Cartons and 3360 PCS products.
5. One Inner Carton contained 1680 PCS products.
6. One Antistatic Bag contained 70 PCS products.

■ **Data is subject to change without prior notice.**

■ **Revision Record**

A0: New Version issued. (2012-7-3)

A1: Change PIN Location and PIN Dimension. (2012-12-23)