

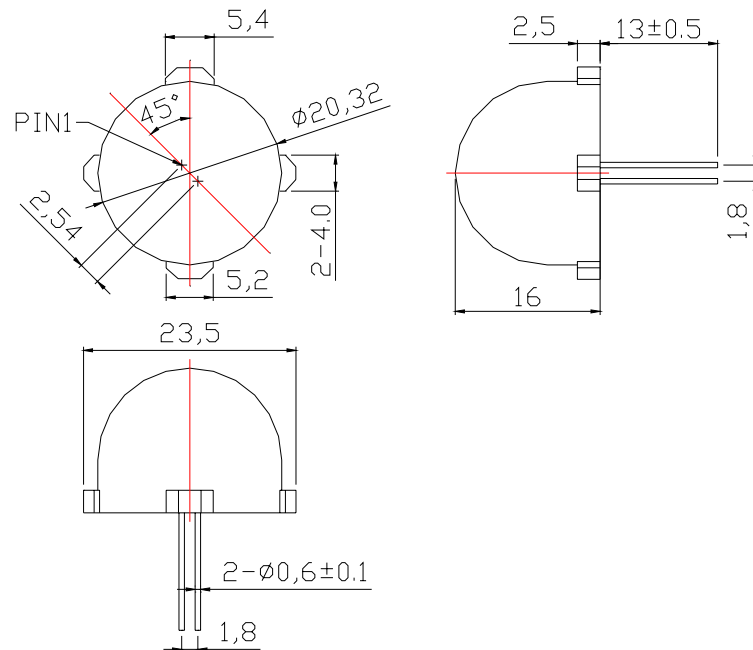
1025-W**SPECIFICATION**

| WCN | | | CUSTOMER Confirmed |
|-------------------|------------|-------------|-----------------------|
| Prepared by | Checked by | Approved by | |
| Liu 2012-12-23 | Athena | | |



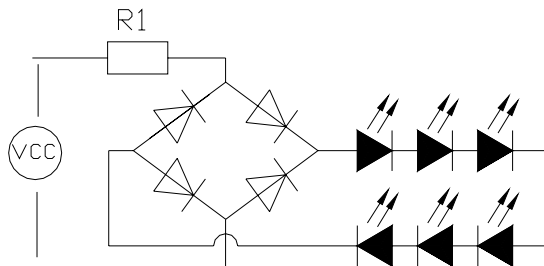
REVISION: A1

Outer Dimension:



Notes: Unless otherwise stated, The tolerance is $\pm 0,25\text{mm}$.

Circuit Diagram



Features:

- . High Reliability
- . Emitting Color: Orange
- . Low Power Requirement
- . Easy Assembly

Description:

- . 20.32 mm LED Signal Lamp
- . Six Pieces Orange Color LED
- . White Diffuse Epoxy

Applications:

- . Illuminations
- . Indicator

Typical Electrical & Optical Characteristics (Ta = 25°C)

| Items | Symbol | Condition | Min. | Typ. | Max. | Unit |
|----------------------------|-------------|---|------|------|------|------|
| Forward Voltage | V_F | $I_F = 17\text{mA}$ | --- | 24 | --- | V |
| Forward Current | I_F | $V_F = 24\text{V}$ | --- | 17 | 20 | mA |
| Peak Forward Current | I_{FP} | 1/10 duty 10KHZ | --- | --- | 90 | mA |
| Power Dissipation | P_D | --- | --- | --- | 500 | mW |
| Luminous Intensity | I_V | $I_F = 20\text{mA}$ | 180 | 200 | --- | mcd |
| Peak Emission Wavelength | λ_p | $I_F = 20\text{mA}$ | --- | 612 | --- | nm |
| Dominant Wavelength | λ_d | $I_F = 20\text{mA}$ | --- | 606 | --- | nm |
| Operation Temperature | T_{opr} | -35 ~ + 85 | | | | °C |
| Storage Temperature | T_{stg} | -35 ~ + 85 | | | | °C |
| Lead Soldering Temperature | T_{sol} | Max.260°C for 3 sec Max. (3mm from the base of the epoxy bulb) | | | | |

Packaging Standard:

1. The Outer Carton outer dimensions are: 550*370*270mm.
2. The Inner Carton outer dimensions are: 370*360*255mm
3. The Antistatic Bag dimensions are: 200*160mm
4. One Outer Carton contained two Inner Cartons and 3360 PCS products.
5. One Inner Carton contained 1680 PCS products.
6. One Antistatic Bag contained 70 PCS products.

■ Data is subject to change without prior notice.

Revision Record

A0: New Version issued. (2012-7-3)

A1: Change PIN Location and PIN Dimension. (2012-12-23)