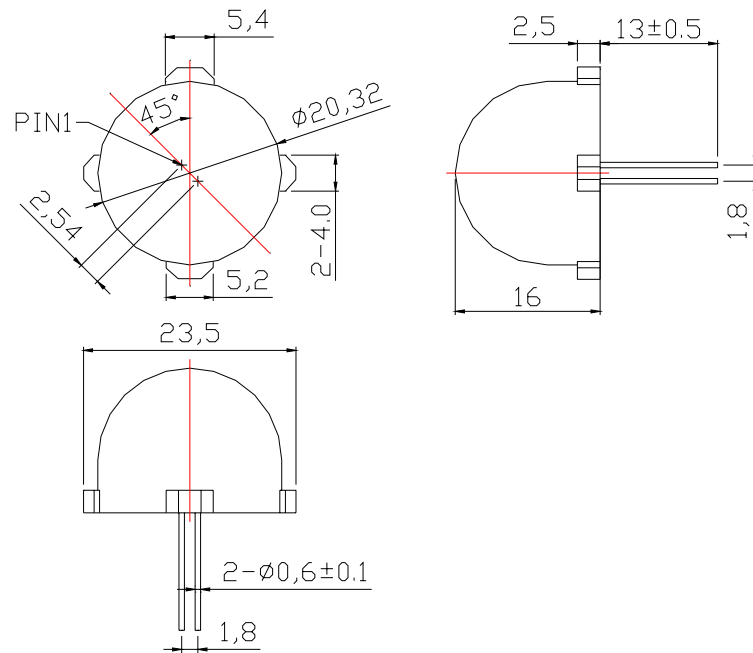


**1025-R****SPECIFICATION**

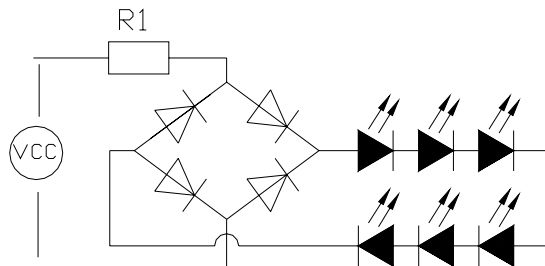
WCN			CUSTOMER Confirmed
Prepared by	Checked by	Approved by	
Liu 2012-12-23	Athena		



REVISION: A1

**Outer Dimension:**

Notes: Unless otherwise stated, The tolerance is  $\pm 0,25\text{mm}$ .

**Circuit Diagram****Features:**

- . High Reliability
- . Emitting Color: Red
- . Low Power Requirement
- . Easy Assembly

**Description:**

- . 20.32 mm LED Signal Lamp
- . Six Pieces Red Color LED
- . Red Diffuse Epoxy

**Applications:**

- . Illuminations
- . Indicator

## ■ Typical Electrical & Optical Characteristics ( Ta = 25°C)

Items	Symbol	Condition	Min.	Typ.	Max.	Unit
Forward Voltage	$V_F$	$I_F = 17\text{mA}$	---	24	---	V
Forward Current	$I_F$	$V_F = 24\text{V}$	---	17	20	mA
Peak Forward Current	$I_{FP}$	1/10 duty 10KHZ	---	---	90	mA
Power Dissipation	$P_D$	---	---	---	500	mW
Luminous Intensity	$I_V$	$I_F = 20\text{mA}$	180	200	---	mcd
Peak Emission Wavelength	$\lambda_p$	$I_F = 20\text{mA}$	---	635	---	nm
Dominant Wavelength	$\lambda_d$	$I_F = 20\text{mA}$	---	622	---	nm
Operation Temperature	$T_{opr}$	-35 ~ + 85				°C
Storage Temperature	$T_{stg}$	-35 ~ + 85				°C
Lead Soldering Temperature	$T_{sol}$	Max.260°C for 3 sec Max. (3mm from the base of the epoxy bulb)				

## ■ Packaging Standard:

1. The Outer Carton outer dimensions are: 550\*370\*270mm.
2. The Inner Carton outer dimensions are: 370\*360\*255mm
3. The Anlistatig Bag dimensions are: 200\*160mm
4. One Outer Carton contained two Inner Cartons and 3360 PCS products.
5. One Inner Carton contained 1680 PCS products.
6. One Anlistatig Bag contained 70 PCS products.

■ Data is subject to change without prior notice.

## ■ Revision Record

A0: New Version issued. (2012-7-3)

A1: Change PIN Location and PIN Dimension. (2012-12-23)