

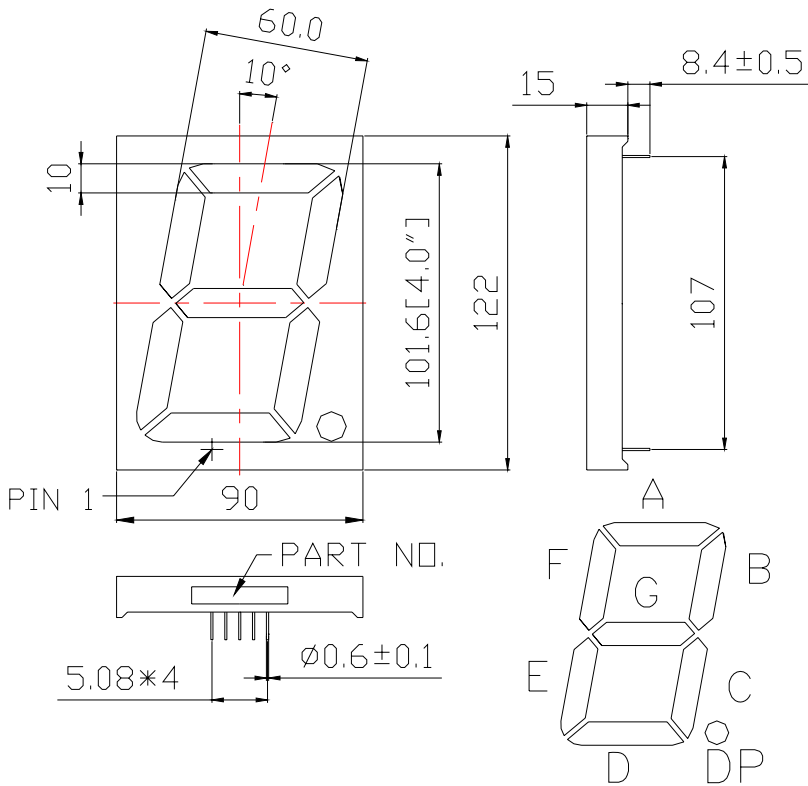
WCN1-00D0WW-A61S**SPECIFICATION**

WCN			CUSTOMER Confirmed
Prepared by	Checked by	Approved by	
Fei	Athena		



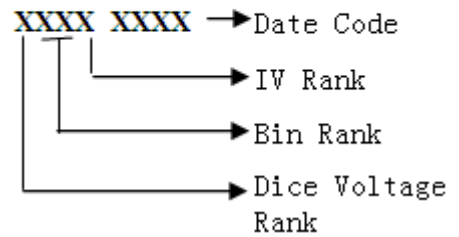
REVISION: A1

■ **Outer Dimension:**



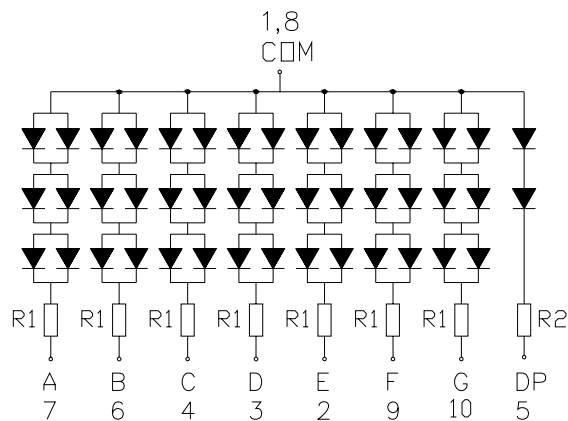
Marking Information

WCN1-00D0WW-A61S



Note: Unless otherwise stated, The tolerance is ±0.25 mm.

■ **Circuit Diagram:**



■ **Pin Connection:**

PIN NO.	CONNECTION	PIN NO.	CONNECTION
1	Common Anode	6	Cathode B
2	Cathode E	7	Cathode A
3	Cathode D	8	Common Anode
4	Cathode C	9	Cathode F
5	Cathode DP	10	Cathode G

WCN Opto Group Co., Limited

■ **Features:**

- High Reliability
- Color: White
- Low Power Requirement
- Easy Assembly

■ **Description:**

- Single Digit LED Display
- Digit Height: 101.6mm(4.0")
- Black Face and Milky Segment

■ **Absolute Maximum Rating (Ta=25°C):**

Parameter	Symbol	Condition	Color	Rating	Units
Power Dissipation Per Segment/DP	P _d	—	White	480/240	mW
Forward Current Per Segment/DP	I _F	—	White	40/20	mA
Peak Forward Current Per Segment	I _{FP}	1/10 Duty	White	100	mA
Reverse Voltage Per Segment/DP	V _R	—	White	15	V
Operating Temperature Range	T _{opr}	—	—	-35~+85	°C
Storage Temperature Range	T _{stg}	—	—	-35~+85	°C

■ **Electrical/Optical Characteristics Rating(Ta=25°C):**

Item	Symbol	Test conditions	Location	Rating			Units
				Min.	Typ.	Max.	
Forward Voltage	V _F	I _F =40mA	Per Segment	—	12.0	—	V
		I _F =20mA	DP		12.0		
Reverse Current	I _R	V _R =22V	Per Segment	—	—	100	μA
		V _R =15V	DP				
Luminous Intensity Matching Ratio (Segment to Segment)	I _{v-m}	I _F =20mA	—	—	—	1.2:1	

■ **Dice Voltage Rank: (Tolerance is +/-10%)**

Rank	Symbol	Condition	Min	Max	Unit
D	D	I _F =20mA	2.6	2.8	V
E	E	I _F =20mA	2.8	3.0	V
F	F	I _F =20mA	3.0	3.2	V
G	G	I _F =20mA	3.2	3.4	V
H	H	I _F =20mA	3.4	3.6	V



WCN Opto Group Co., Limited

■ Bin Rank(Tolerance: +/-10%)/ Condition: $I_F=5mA$

Rank	CIE-X1	CIE-Y1	CIE-X2	CIE-Y2	CIE-X3	CIE-Y3	CIE-X4	CIE-Y4
11	0.2293	0.1696	0.2252	0.1712	0.2301	0.1811	0.2342	0.1794
31	0.2342	0.1794	0.2301	0.1811	0.2351	0.1909	0.2391	0.1891
51	0.2391	0.1891	0.2351	0.1909	0.2400	0.2008	0.2440	0.1989
41	0.2260	0.1828	0.2219	0.1844	0.2270	0.1945	0.2311	0.1927
61	0.2311	0.1927	0.2270	0.1945	0.2320	0.2046	0.2360	0.2027

■ Luminous Intensity Rank: (Tolerance: +/-10%) / Per Dice

Rank	Symbol	Condition	Min	Max	Unit
B	B	$I_F=5mA$	250	300	mcd
C	C	$I_F=5mA$	300	350	mcd
D	D	$I_F=5mA$	350	400	mcd
E	E	$I_F=5mA$	400	450	mcd
F	F	$I_F=5mA$	450	500	mcd

■ Soldering Conditions: Soldering Temp. $\leq +260^{\circ}C$, Soldering Time. $\leq 3sec.$ (at 2mm Distance from The Case of Reflector Edge)

■ Packaging Information:

1. An Outer carton contained two Inner cartons and 84 PCS products.
2. An Inner carton contained 7 PCS Foam Board and 42 PCS products.
3. A Foam Board contained 6 PCS products.